

SR02P SERIES MOTORIZED VALVES

DESCRIPTION

SR02P series motorized valves are used to control the opening or closing for the pipe in the chilled/hot water system so to control the room temperature. The valve is driven by hysteresis synchronous motor with spring return. It is normally close ball valve.

When the thermostat is working, it will provide an opening signal, and the motorized valve will be opened. Then the chilled/hot water enters the coil and the coil starts to supply the cold/warm air to the room. When the room temperature rises to the set point, the thermostat will cut the valve power off. At the same time the valve will be closed by return spring and shut off the water to the coil. The room temperature will be kept in the setting range all the time through the opening and closing the valve.

The switch of the 2-way valve is only used as auxiliary switch for the output signal. The 3-way valve with 2 or 3 auxiliary switches is 3-point valve.

SR02P series motorized valves have detachable and non-detachable types. The detachable valve actuator and valve body is connected with supporting axis and matching button. It is convenient to install and be wiring for the valve actuator can be installed after the installation of the valve body.



MATERIAL AND TECHNICAL DATA

MATERIAL	VALVE BODY	Forged brass
	SEAL MATERIAL	Nitrile butadiene rubber (NBR)
	CHASSIS & COVER	Fireproof ABS engineering plastic
WORKING MEDIA		Chilled / hot water
MEDIA TEMPERATURE		2~94℃ (36~201℉)
PRESSURE RATING		2.1MPa
MOTOR PARAMETER		230VAC, 50Hz, 6.5W
AUXILIARY SWITCH PARAMETER		250VAC, 5A
WIRING		300~500VAC, 105℃ (221℉), standard colors wire
DRIVING PARTS		Driven by synchronous motor, spring return
OPERATION DURATION		Motor: about 15s after power on Spring: 5s after power off
AMBIENT TEMPERATURE		0~60℃ (32~140℉)
STORAGE TEMPERATURE		-20~65℃ (-4~149℉) Max. Rh, no condensation

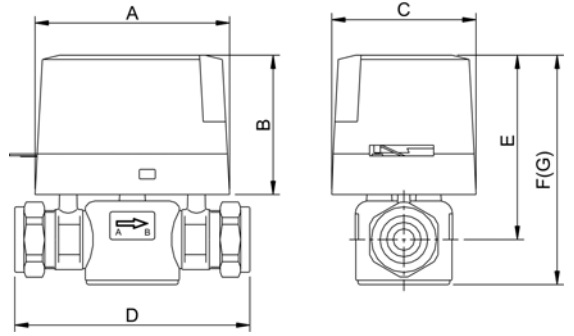
SPECIFICATIONS AND DATA

MODEL	SIZE	TYPE	Kv	CONNECTING PIPE	CLOSING-OFF PRESSURE
SR02PC221A4KA1	21mm	Normally close 2-Way	3.2	21mm	0.20MPa
SR02PC222A4KA1	22mm		3.2	22mm	0.20MPa
SR02PC228A4KA1	28mm		6.8	28mm	0.10MPa
SR02PB321A4KA3	21mm	Diverted 3-Way	4.6	21mm	0.15MPa
SR02PB322A4KA3	22mm		4.6	22mm	0.15MPa
SR02PB328A4KA3	28mm		5.7	28mm	0.10MPa

- A1=24Vac; A2=110Vac; A3=120Vac; A4=220Vac/230Vac
- KA1= actuator with 1 auxiliary switch; KA3= actuator with 3 auxiliary switches
- Special Kv value can be made by order.

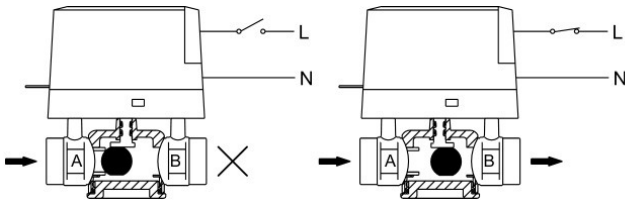
DIMENSIONS

MODEL	DIMENSIONS (mm)						
	A	B	C	D	E	F (2-way)	G (3-way)
21mm 2-way	91	65	68	111	86	107	-
21mm 3-way	91	65	68	111	86	-	134
22mm 2-way	91	65	68	110	86	107	-
22mm 3-way	91	65	68	110	86	-	134
28mm 2-way	91	65	68	120	86	109	-
28mm 3-way	91	65	68	120	86	-	138

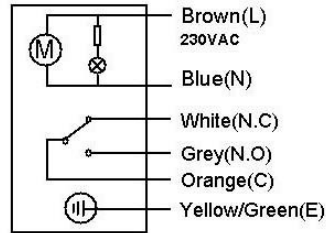


WORKING CONDITION

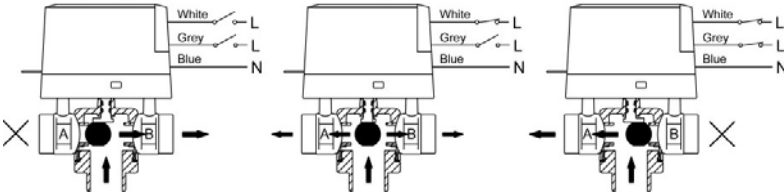
2-way normally close valve



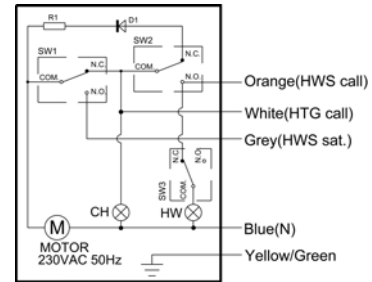
PCB of 2-way normally close valve



3-way diverted valve

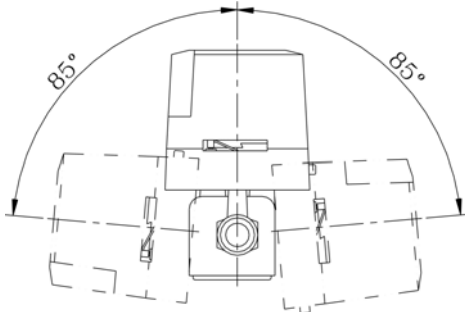


PCB of 3-way diverted valve



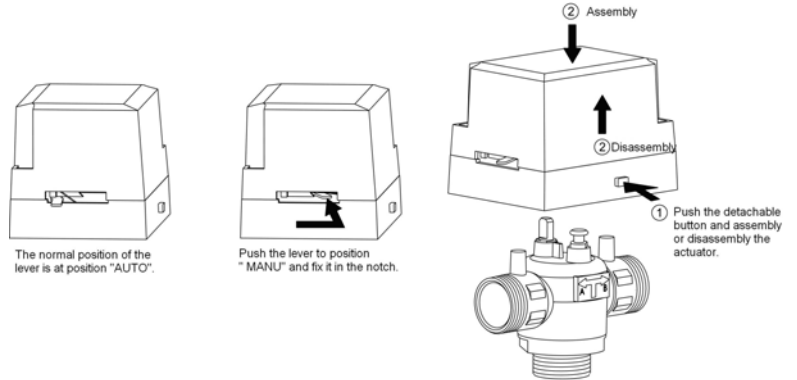
INSTALLATION

Permitted angle of installation



*** Notice:** When the valve is mounted on vertical pipe, it must be prevented from dripping. If the valve is used in high-rise building, please install pressure reducing valve on branch pipe of ground floor.

Assembly/Disassembly indication



Notice: After installation, must remove the lever stopper before the first use.

